

The expert for high-speed applications



Feature-rich printer series
for demanding applications,
such as ultra-high printing
speeds or high-contrast
printing.



ABOUT LEIBINGER

Trusted partner

Companies from all industries rely on LEIBINGER every day.

Family-owned

Supporting the same values that Paul Leibinger set out in 1948.

Made in Germany

100% precision-engineered in our factory in Tuttlingen.

Disruptive innovation

We're constantly improving and innovating to make our customers more productive.

Sustainability

Solid reliability, fair maintenance and ultra-low power and solvents consumption.

Global presence

Wherever you are in the world, LEIBINGER and our 150 partners are there for you.

Unique technology = Your benefits

1

Highest productivity

LEIBINGER's **fully automatic nozzle sealing technology** is unique in the market. It completely prevents clogging and eliminates the need for time-consuming cleaning by sealing ink in an airtight circuit during printing breaks. This guarantees seamless start & stop functionality and high quality printing at any time — no interruptions, and no downtime.

2

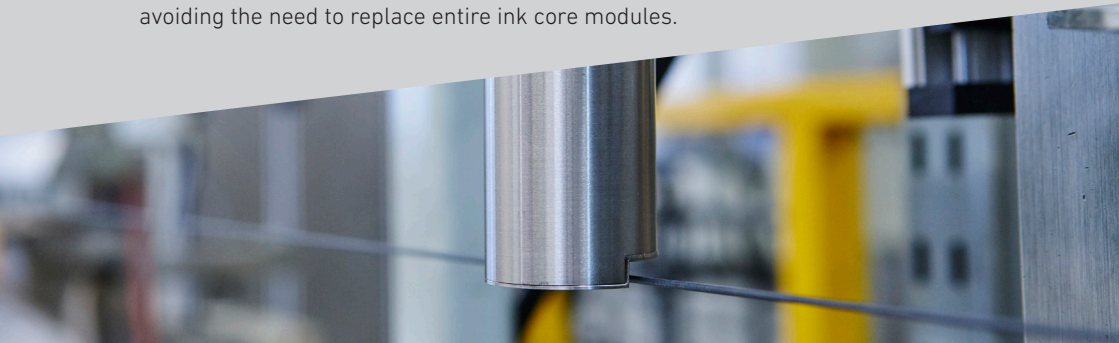
High-precision, ultra-reliable marking

The LEIBINGER brand stands for **unmatched reliability and sustainability**. Our German-engineered printers are crafted to perfection and trusted globally. With 85% in-house production, we ensure maximum quality control. Recognized worldwide as true plug & print solutions, LEIBINGER printers operate seamlessly, providing 100% peace of mind — a testament to our commitment to your success.

3

Lowest costs and maintenance effort

LEIBINGER's state-of-the-art CIJ printers have the **lowest Total Cost of Ownership (TCO)** offering optimized consumables and power consumption, and minimum maintenance. Unlike other printer providers, we focus on replacing only necessary spare parts, avoiding the need to replace entire ink core modules.





JET Rapid Details

Print lines	Speed up to	Print raster
≡ 1 (7x3 tower)	⌚ 1.000 m/min 3,280 ft/min	↕ 3 dots
≡ up to 5	⌚ 537 m/min 1,761 ft/min	↕ 32 dots

Technical details

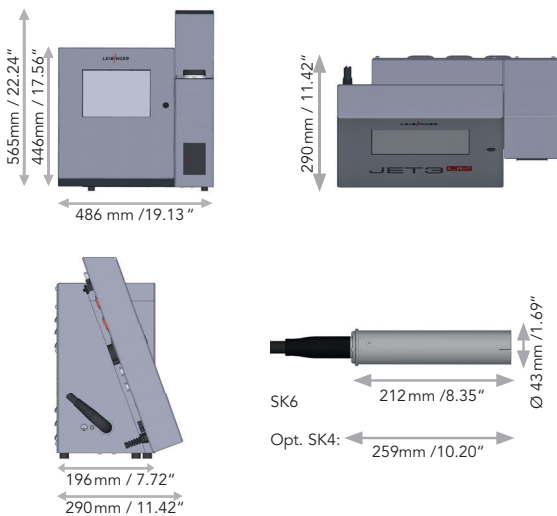
- » LEIBINGER's unique nozzle sealing technology
- » Inks: dye-based, soft pigmented, heavy pigmented
- » Nozzle sizes: 50µm, 60µm,
- » IP rating: IP 54, IP 65 (option)
- » Interfaces: USB, Ethernet, I/O signals (9/8), serial interface RS232
- » Touch screen display: 10.4"
- » LEIBINGER Connect remote monitoring software (option)
- » LEIBINGER EcoSolv solvent saving technology (option)

Environmental conditions

- » 100 V-240 V, 50-60 Hz, max. 40 VA
- » Temperature +5°C (+41°F) to +45°C (+113°F)
- » Relative humidity max. 90%, non-condensing
- » No external air pressure necessary (except for IP 65 option)

Dimensions

Umbilical length: 3 m (9.8 ft), 6 m (19.6 ft)



JET Rapid printer line

Unmatched quality at unmatched speeds



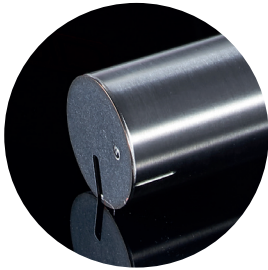
High-speed printing
specialist



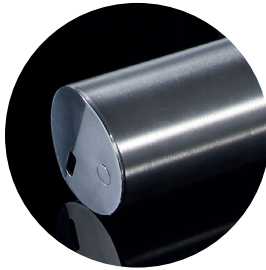
Expert in rapid cable
and pipe printing



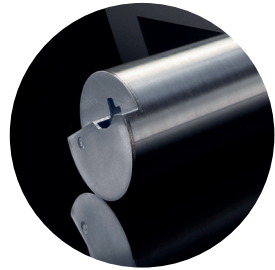
Engineered for high-speed
& high-contrast printing



Printhead: JET RAPID



Printhead: Speed Plus



Printhead: WIRE PI



The most important advantage of LEIBINGER printers is that we do not waste time cleaning, which significantly increases our productivity. The printers are always ready for use regardless of the time they have been out of operation. LEIBINGER printers provide us the safety that every business needs. We know for sure that there will be no problems or interruptions in the production process.

Kostas Ineglis, Production & Technical Director, AGROPHOENIX, Greece

Get in contact with:

LEIBINGER experts:
info@leibinger-group.com
leibinger-group.com

Local LEIBINGER partner:
verkoop@kortho.nl
kortho.com