

Entry into the LEIBINGER experience



Whether your annual print volume is limited or you operate seasonally, this printer offers you ideal balance of cost-efficiency, reliability, and ease of use.



ABOUT LEIBINGER

Trusted partner

Companies from all industries rely on LEIBINGER every day.

Family-owned

Supporting the same values that Paul Leibinger set out in 1948.

Made in Germany

100% precision-engineered in our factory in Tuttlingen.

Disruptive innovation

We're constantly improving and innovating to make our customers more productive.

Sustainability

Solid reliability, fair maintenance and ultra-low power and solvents consumption.

Global presence

Wherever you are in the world, LEIBINGER and our 150 partners are there for you.

Unique technology = Your benefits

1

Highest productivity

LEIBINGER's **fully automatic nozzle sealing technology** is unique in the market. It completely prevents clogging and eliminates the need for time-consuming cleaning by sealing ink in an airtight circuit during printing breaks. This guarantees seamless start & stop functionality and high quality printing at any time — no interruptions, and no downtime.

2

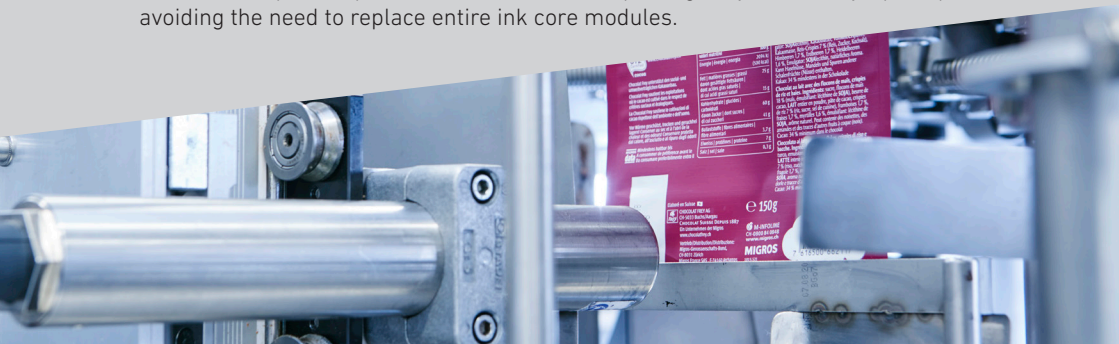
High-precision, ultra-reliable marking

The LEIBINGER brand stands for **unmatched reliability and sustainability**. Our German-engineered printers are crafted to perfection and trusted globally. With 85% in-house production, we ensure maximum quality control. Recognized worldwide as true plug & print solutions, LEIBINGER printers operate seamlessly, providing 100% peace of mind — a testament to our commitment to your success.

3

Lowest costs and maintenance effort

LEIBINGER's state-of-the-art CIJ printers have the **lowest Total Cost of Ownership (TCO)** offering optimized consumables and power consumption, and minimum maintenance. Unlike other printer providers, we focus on replacing only necessary spare parts, avoiding the need to replace entire ink core modules.





JET ONE Details

Print lines

≡ 3

Speed up to

⌚ 268 m/min
879 ft/min

Print raster

↕ 24 dots

Technical details

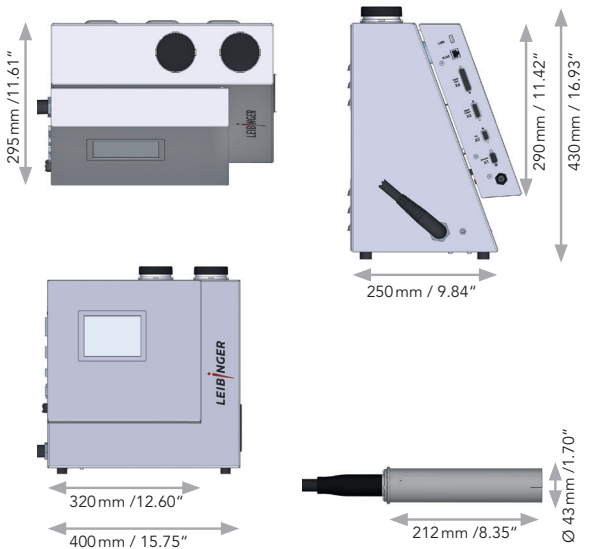
- » LEIBINGER's unique automatic nozzle sealing technology
- » Inks: standard dye-based
- » Nozzle size: 70µm
- » IP rating: IP 54
- » Interfaces: USB, I/O signals (2/3)
- » Touch screen display: 5.7"

Environmental conditions

- » 100 V-240 V, 50-60 Hz, max. 40 VA
- » Temperature +5°C (+41°F) to +45°C (+113°F)
- » Relative humidity max. 90%, non-condensing
- » No external air pressure necessary

Dimensions

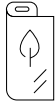
Umbilical length: 3 m (9.8 ft)



JET ONE in action

Ultimate Reliability at an Affordable Price!

Print on any material and on any shape



Bio-foil



Carton



Ceramic



Film



Foil



Glass



Metal



Plastic



Rubber



Wire



Wood

”

We use a JET ONE coder for our ketchup and mayonnaise production. It is easy to operate, it does not require daily washing, which saves time and helps us in production.

Kasimov Sh.S., Director, Monarx Products LLC, Uzbekistan

”

LEIBINGER CIJ printer are user-friendly and have a good print quality and print speed. There is no nozzle clogging and no ink leaking.

Mr. Galijašević, Production Manager, Mann Hummel, Bosnia and Herzegovina



Get in contact with:

LEIBINGER experts:

info@leibinger-group.com

leibinger-group.com

Local LEIBINGER partner:

verkoop@kortho.nl

kortho.com