

TT-53 & TT-107 PRODUCT SELECTION GUIDE



TT-53 print unit
art. 820104



TT-107 print unit
art. 820721

+



Power Supply TT/TD
art. 820425

Ribbon art.	TT-53	TT-107
Basic black	030949	--
Standard black	030561	030574
Premium black	030587	030854
Excellence black	030599	030867
Supreme black	030952	--
Supreme white	030965	--
Paper black	030784	--
Foodcontact black	030981	--

Network cable RJ45 M12D

- * 5 mtr – art. 170841
- * 10 mtr – art. 171468

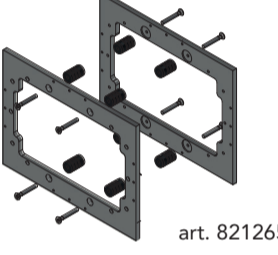
Note: This cable allows the end user to connect the printer to the network or our *Printerface IoT controller*. One of both is needed to control the TT-printer.

I/O cable TT/TD

- 5 mtr – art.170867

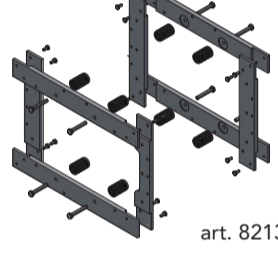
Note: One will need this cable to connect the printer signals to a host machine. Signals such as *Print trigger* or *Error*

Bracket 2 sideplates one frame



art. 821265

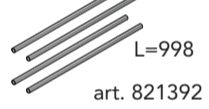
Bracket 2 sideplates four slats



art. 821348


OR

+




L=998
art. 821392

4 inox pipes 998mm




Printerface IoT controller



Printerface IoT with wallmount bracket
art. 820552

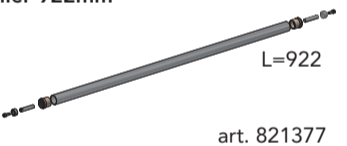
OR



Printerface IoT with standing bracket
art. 820342

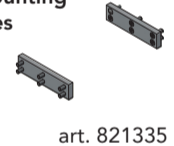
Note: The Printerface is needed to operate the TT-printers. However, the end-user can also use its own (Windows based) device to operate the printer. In this case, one can download the necessary software from www.kortho.com.

Set TT bracket 1 aluminum roller 922mm




L=922
art. 821377

TT bracket 2 mounting plates



art. 821335

Foil adjuster / substrate buffer



L=922
art. 821389

INTERMITTENT

Intermittent assembly

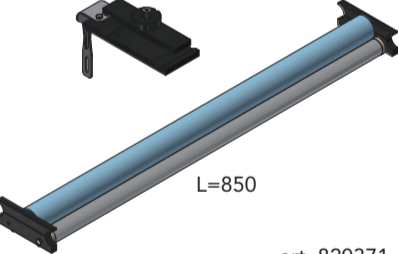


Note: This set contains:
1. Counter pressure plate with mount
2. Printer mount

art. 818997


CONTINUOUS

Continuous 850mm assembly



L=850
art. 820371

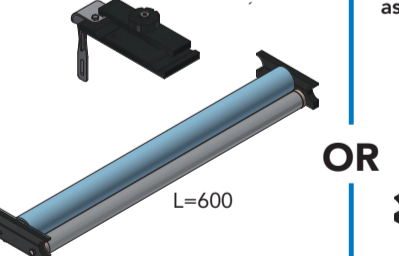
Encoder



art. 821252

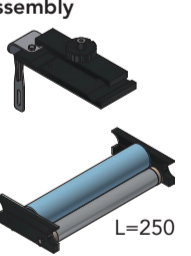
OR

Continuous 600mm assembly



L=600
art. 820368

Continuous 250mm assembly



L=250
art. 820355

OR



CONTROL CENTER

!!! FREE !!!

Note: The software to control your printer with



NiceLabel

ON REQUEST

Additional

Set with pipe cutter and deburrer.
art. 819012

Note: useful when tailoring a inox pipe and aluminum roller 821392 / 821377

Inline ethernet coupler (2x RJ45)
art. 170879

Note: If the situation requires a longer network cable you can use this device to interconnect an RJ45 ethernet with our network cable

16 port Industrial Fast Ethernet Switch
art. 170854

